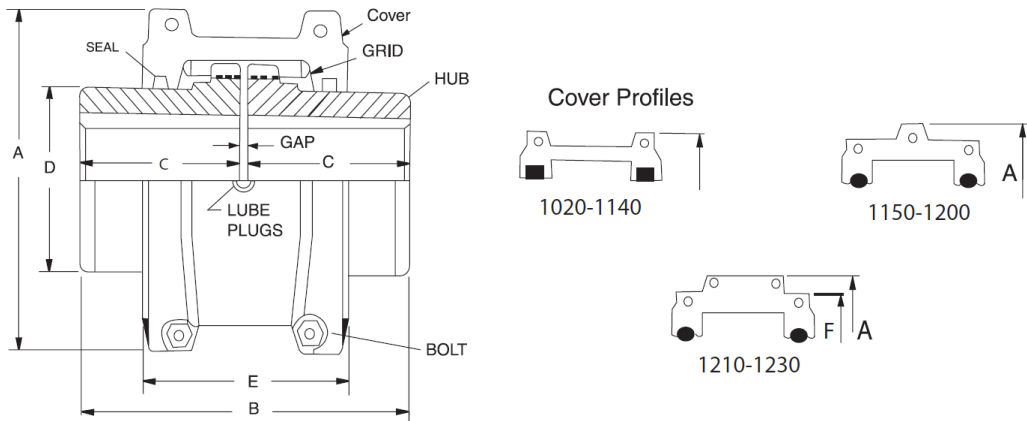


# SERIES GH I SIZE 1020H-1230H

## Horizontal Split Aluminum Cover



Size	HP Per 100 rpm	Max. Speed (rpm)	Basic Torque (kg-cm)	Bore Dia (mm)		Dimension(mm)					Gap(mm)			Cplg Wt(kg)	Lube Wt (kg)	Size
				Max.	Min.	A	B	C	D	E	Min.	Normal	Max.			
1020H	0.68	4,500	486	30	12	101.6	98.0	47.5	39.7	66.5	1.5	3	4.5	1.9	0.03	1020
1030H	1.93	4,500	1,383	35	12	110.0	98.0	47.5	49.2	68.3	1.5	3	4.5	2.6	0.03	1030
1040H	3.22	4,500	2,304	43	12	117.5	104.6	50.8	57.1	70.0	1.5	3	4.5	3.4	0.05	1040
1050H	5.63	4,500	4,033	50	12	138.0	123.6	60.3	66.7	79.5	1.5	3	4.5	5.4	0.05	1050
1060H	8.85	4,350	6,337	55	19	150.5	130.0	63.5	76.2	92.0	1.5	3	4.5	7.3	0.09	1060
1070H	13	4,125	9,217	65	19	161.9	155.4	76.2	87.3	95.0	1.5	3	4.5	10	0.11	1070
1080H	27	3,600	19,010	78	27.0	194.0	180.8	88.9	104.8	116.0	1.5	3	4.5	18	0.17	1080
1090H	48	3,600	34,564	95	27.0	213.0	199.8	98.4	123.8	122.0	1.5	3	6	25	0.25	1090
1100H	81	2,400	58,183	107	41	250.0	245.7	120.6	142.0	155.5	1.5	3	6	42	0.43	1100
1110H	121	2,250	86,411	117	41	270.0	258.5	127.0	160.3	161.5	1.5	4.5	9.5	54	0.51	1110
1120H	177	2,025	126,736	136	60	308.0	304.4	149.2	179.4	191.5	1.5	4.5	9.5	81	0.73	1120
1130H	257	1,800	184,343	165	67	346.0	329.8	161.9	217.5	195.0	1.5	6	12.5	121	0.91	1130
1140H	370	1,650	264,993	184	67	384.0	371.6	182.8	254.0	201.0	1.5	6	12.5	178	1.13	1140
1150H	515	1,500	368,686	203	108	453.1	371.8	182.9	269.2	271.3	1.5	6	12.5	234	1.95	1150
1160H	724	1,350	518,465	228	120.7	501.4	402.2	198.1	304.8	278.9	1.5	6	12.5	317	2.81	1160
1170H	965	1,225	691,286	279	133.4	566.4	437.8	215.9	355.6	304.3	1.5	6	12.5	448	3.49	1170
1180H	1,338	1,100	958,584	311	152.4	629.9	483.6	238.8	393.7	321.1	1.5	6	12.5	619	3.76	1180
1190H	1,770	1,050	1,267,358	339	152.4	675.6	524.2	259.1	436.9	325.1	1.5	6	12.5	776	4.40	1190
1200H	2,413	900	1,728,216	361	177.8	756.9	564.8	279.4	497.8	355.6	1.5	6	12.5	1,057	5.62	1200
1210H	3,230	820	2,304,288	366	177.8	844.5	622.3	304.8	533.4	431.8	3.0	13	24.0	1,424	10.50	1210
1220H	4,350	730	3,110,788	411	203.2	820.7	622.9	325.0	571.5	490.2	3.0	13	24.0	1,784	16.05	1220
1230H	5,640	680	4,438,775	450	250.0	1,003.3	703.8	345.4	609.6	546.1	3.0	13	24.0	2,267	24.00	1230

\*\* Coupling weight, with unbored hub assembly.