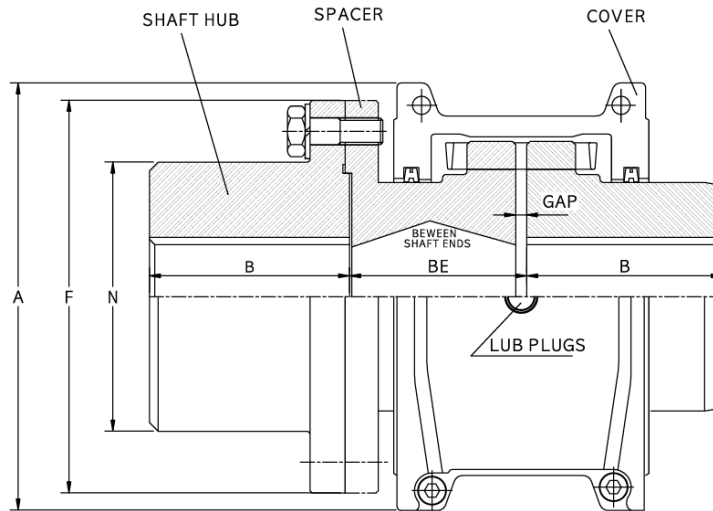
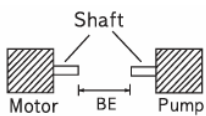


SERIES GFS I SIZE 1020-1200

Half Spacer



Size	HP Per 100 rpm	Max. Speed (rpm)	Basic Torque (kg-cm)	Bore Dia (mm)		Dimensions(mm)							Flange Bolt No.	Lub Wt (kg)	Size
				Max.	Min.	A	B	BE(KSFS)		N	F.	Gap			
								Min.	Max.						
1020	0.68	3,600	486	36	12.7	101.6	35	45	102	52	86	5	4	0.03	1020
1030	1.93	3,600	1,383	44	12.7	111.0	41	45	109	59	94	5	8	0.03	1030
1040	3.22	3,600	2,304	57	12.7	117.5	54	45	109	78	113	5	8	0.05	1040
1050	5.63	3,600	4,033	64	12.7	138.0	60	57	109	87	126	5	8	0.05	1050
1060	8.85	3,600	6,337	79	19.1	150.5	73	64	166	103	145	5	8	0.09	1060
1070	13	3,600	9,217	83	19.1	161.9	79	64	166	109	153	5	12	0.11	1070
1080	27	3,600	19,010	95	27.0	194.0	89	93	204	122	178	5	12	0.17	1080
1090	48	3,600	34,564	108	27.0	213.0	102	93	204	142	210	5	12	0.25	1090
1100	81	2,400	58,183	127	38.1	250.0	90	103	205	171	251	6.5	12	0.43	1100
1110	121	2,250	86,411	149	50.8	270.0	104	106	205	196	277	6.5	12	0.51	1110
1120	177	2,025	126,736	165	63.5	308.0	119	125	205	225	319	9.5	12	0.73	1120
1130	257	1,800	184,343	178	76.2	346.0	135	130	205	238	346	9.5	12	0.91	1130
1140	370	1,650	264,993	203	88.9	384.0	152	135	205	266	386	9.5	12	1.13	1140
1150	515	1,500	368,686	254	101.6	453.1	173	175	187	334	425	9.5	14	1.95	1150
1160	724	1,350	518,465	279	114.3	501.4	186	180	205	366	457	9.5	14	2.81	1160
1170	965	1,225	691,286	330	127.0	566.4	220	194	224	425	527	9.5	16	3.49	1170
1180	1,338	1,100	958,584	330	101.6	629.9	249	202	247	451	591	9.5	16	3.76	1180
1190	1,770	1,050	1,267,358	362	114.3	675.6	276	207	267	508	660	9.5	18	4.40	1190
1200	2,413	900	1,728,216	381	127.0	756.9	305	224	289	530	711	9.5	18	5.62	1200



** BE means the distance between shaft ends.