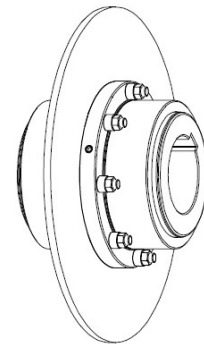
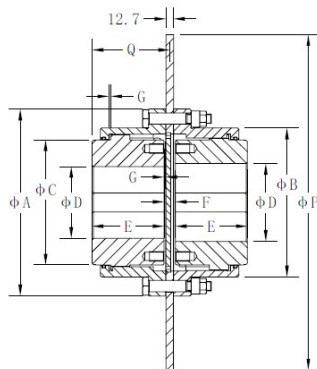


Double or single engagement brake drum and disc brake couplings are used for applications such as cranes, hoists and conveyors. Brakedrum and disc brake couplings accommodate misalignment between connected equipment and eliminate the need for double shaft extensions on motors and gear drives for applications requiring brakes.

## SERIES ZZA I SIZE 10 - 60

with Brake Disc



Size	TN Nm (1)	TP Nm (1)	n Max rpm(2)	A	B	C	D Max (3)	E	F	F1	G	P	Q	Weight Max Kg (4)	Weight Min Kg (5)	Inertia J Kgm2 (4)
10	1,800	3,600	4,200	111	82.5	69	52	43	17	19	0.5	215	52	9	8	0.043
			3,500									315		11	10	0.101
15	2,760	5,520	3,500	141	104.5	85	62	50	17	22	0.5	315	59	15	13	0.112
			3,100									355		17	15	0.171
			2,800									395		20	18	0.254
20	5,550	11,100	2,800	171	127.5	107	78	62	17	28	0.5	395	71	25	21	0.277
			2500									445		29	25	0.422
			2200									495		32	28	0.626
			2000									550		37	33	0.934
25	8,700	17,400	2500	210	156	133	98	76	20	27	0.5	445	87	40	32	0.492
			2200									495		44	36	0.695
			2000									550		49	41	1.00
			1800									625		55	47	1.60
30	14,100	28,200	2200	234	181.5	152	112	90	20	39	0.5	495	101	57	44	0.78
			2000									550		61	48	1.09
			1800									625		68	55	1.69
			1600									705		76	63	2.61

35	22,800	45,600	1800	274	210.5	178	132	105	21	42	1.0	625	116	86	70	1.94
			1600									705		95	79	2.86
			1400									795		105	89	4.35
40	34,800	69,600	1800	312	248.5	209	156	120	21	47	1.0	625	131	119	89	2.36
			1600									705		127	97	3.28
			1400									795		138	108	4.78
45	44,000	88,000	1800	337	274	234	174	135	24	53	1.0	625	149	142	104	2.80
			1600									705		150	112	3.73
			1400									795		161	123	5.22
50	69,800	139,600	1800	380	308.5	254	190	150	24	66	1.0	625	163	192	142	3.95
			1300									705		200	150	4.87
			1200									795		211	161	6.36
55	83,800	167,600	1800	405	334	279	210	175	24	68	1.0	705	188	245	176	5.97
			1400									795		256	187	7.46
60	152,000	304,000	1400	444	365.5	305	233	190	24	74	1.0	795	203	304	211	8.85

✓ From size 45 (included) the coupling is supplied by default with puller holes. If required, puller holes can also be made for smaller sizes.

✓ Setscrews can be included upon request.

✓ Adapted hub length and value F available upon request.

(1) The torque of the coupling does not include the connection transmission capacity.

(2) n MAX speed calculated according to standard brake material (S355). For higher speed, please contact Feinnord. n MAX speed for balanced couplings. For higher speeds contact Feinnord.

(3) Max. allowable bore for couplings with DIN 6885/1 key. For other types of keys or connections please contact Feinnord.

(4) Weight and moment of inertia are given for minimum bore.

(5) Weight is given for maximum bore.