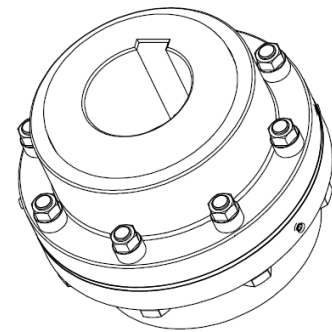
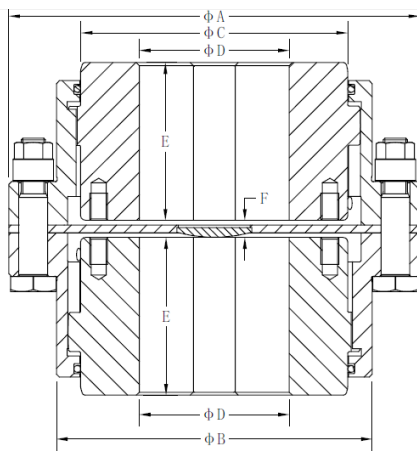


The Type ZVE double engagement, close-coupled type has two flex halves to accommodate both offset and angular misalignment or a combination of the two, as well as end float. It is ideal for all horizontal, close-coupled applications including fans, overhead cranes, conveyors, steel and paper mill equipment. It is adaptable with limited end float kits for use on electric motors, generators or any machines fitted with sleeve or straight roller bearings. The ZVE vertical double engagement coupling is a standard horizontal double engagement gear coupling modified to accommodate the sleeve-centering assembly.

SERIES ZVE I SIZE 10 - 65

Vertical Mounting



Size	TN Nm (1)	TP Nm (1)	n Max rpm(2)	A	B	C	D Max (3)	E	F	L	H	Weight Max Kg (4)	Weight Min Kg (5)	Inertia J Kgm2 (4)	Grease Top Kg(6)	Grease Bottom Kg(6)
10	1,780	3,600	8,600	111	82.5	69	52	43	6	3	39	4	3	0.005	0.018	0.017
15	2,790	5,520	7,000	141	104.5	85	62	50	6	3	46	8	6	0.017	0.038	0.032
20	5,600	11,100	5,800	171	127.5	107	78	62	6	3	61	15	11	0.042	0.056	0.046
25	8,500	17,400	4,700	210	156	133	98	76	8	3	69.5	27	18	0.11	0.100	0.68
30	14,000	28,200	4,200	234	181.5	152	112	90	8	3	84.5	40	27	0.21	0.184	0.142
35	23,000	45,600	3,600	274	210.5	178	132	105	11	5	96	61	44	0.47	0.279	0.210
40	35,100	69,600	3,200	312	248.5	209	156	120	11	5	109	94	64	0.92	0.392	0.298
45	44,400	88,000	2,900	337	274	234	174	135	13	5	123	119	81	1.38	0.669	0.511
50	68,500	139,600	2,600	380	308.5	254	190	150	13	5	142.5	170	120	2.56	1.052	0.865
55	84,600	167,600	2,400	405	334	279	210	175	14	6	154.5	217	148	3.71	1.465	1.240
60	151,000	304,000	2,200	444	365.5	305	233	190	14	6	166.5	267	174	5.17	1.996	1.727

65	205,500	407,000	2,000	506	424	355	275	220	16	6	193.5	420	261	10.67	3.097	2.641
----	---------	---------	-------	-----	-----	-----	-----	-----	----	---	-------	-----	-----	-------	-------	-------

- ✓ From size 45 (included) the coupling is supplied by default with puller holes. If required, puller holes can also be made for smaller sizes.
- ✓ Setscrews can be included upon request.
- ✓ Adapted hub length and value F available upon request.

(1) The torque of the coupling does not include the connection transmission capacity.

(2) n MAX speed for balanced couplings. For higher speeds contact Feinnord.

(3) Max. allowable bore for couplings with DIN 6885/1 key. For other types of keys or connections please contact Feinnord.

(4) Weight and moment of inertia are given for minimum bore.

(5) Weight is given for maximum bore.

(6) The amount of grease indicated in the catalogue is for guidance only. For exact amount please refer to coupling instructions.