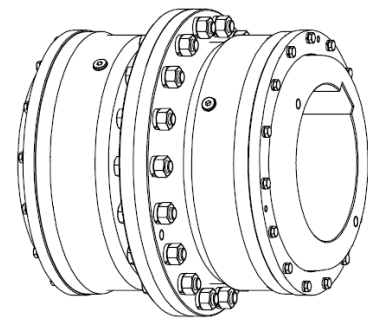
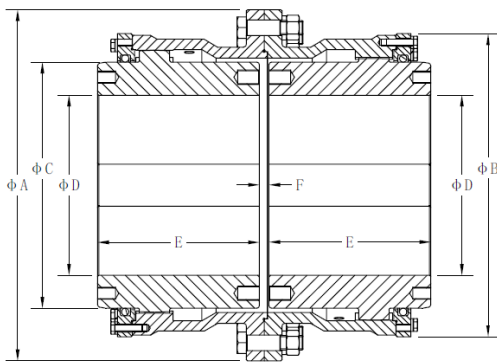


The Type ZGG double engagement, close-coupled type has two flex halves to accommodate both offset and angular misalignment or a combination of the two, as well as end float. It is ideal for all horizontal, close-coupled applications including fans, overhead cranes, conveyors, steel and paper mill equipment. It is adaptable with limited end float kits for use on electric motors, generators or any machines fitted with sleeve or straight roller bearings. The ZGG Gear Coupling is available in all types for capacities up to 17 737 500 Nm.

SERIES ZGG I SIZE 100 - 1900

Standard



Size	TN Nm (1)	TP Nm (1)	n Max rpm(2)	A	B	C	D Max (3)	E	F	Weight Max Kg (4)	Weight Min Kg (5)	Inertia J Kgm2 (4)
100	363,000	726,000	1,800	540	465	370	280	250	16	527	346	14.95
200	412,500	825,000	1,600	585	505	410	310	270	16	676	442	22.93
300	528,000	1,056,000	1,500	650	548	450	345	290	16	884	574	36.84
400	660,000	1,320,000	1,400	690	588	490	370	325	20	1,105	733	53.16
500	841,500	1,683,000	1,300	760	640	520	390	345	20	1,379	957	79.63
600	1,089,000	2,178,000	1,200	805	690	560	420	365	20	1,667	1,154	110
700	1,287,000	2,574,000	1,100	850	730	600	460	400	20	2,043	1,372	153
800	1,650,000	3,300,000	1,050	930	780	650	500	410	25	2,452	1,643	217
900	1,980,000	3,960,000	950	995	850	710	550	430	25	3,035	1,991	313
1000	2,640,000	5,280,000	900	1,055	910	760	590	470	25	3,720	2,413	434
1100	2,970,000	5,940,000	850	1,140	970	810	620	500	30	4,648	3,145	633
1200	3,135,000	6,270,000	800	1,190	1,020	840	650	520	30	5,152	3,469	765
1300	3,465,000	6,930,000	750	1,250	1,080	890	680	540	30	5,954	4,077	990
1400	4,290,000	8,580,000	700	1,300	1,150	950	730	570	30	6,956	4,634	1,277
1500	6,270,000	12,540,000	660	1,420	1,270	1,050	800	600	30	9,036	5,971	1,980
1600	8,943,000	17,886,000	590	1,600	1,430	1,180	900	670	35	13,330	8,670	3,633

1700	11,962,500	23,925,000	550	1,740	1,570	1,320	1,000	740	35	17,975	11,130	5,766
1800	14,272,500	28,545,000	500	1,880	1,710	1,450	1,100	800	35	23,150	13,930	8,683
1900	17,737,500	35,475,000	480	1,990	1,830	1,580	1,200	850	35	28,605	16,680	12,239

- ✓ The coupling is supplied by default with puller holes. If required, puller holes can also be made for smaller sizes. Lift holes are available upon request.
- ✓ Setscrews can be included upon request.
- ✓ Adapted hub length and value F available upon request.

- (1) The torque of the coupling does not include the connection transmission capacity.
- (2) n MAX speed for balanced couplings. For higher speeds contact Feinnord.
- (3) Max. allowable bore for couplings with DIN 6885/1 key. For other types of keys or connections please contact Feinnord.
- (4) Weight and moment of inertia are given for minimum bore.
- (5) Weight is given for maximum bore.