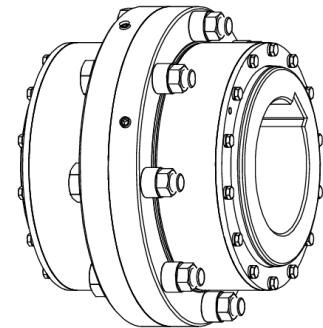
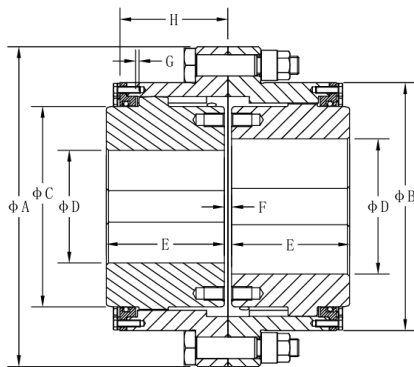


The Type ZEB double engagement, close-coupled type has two flex halves to accommodate both offset and angular misalignment or a combination of the two, as well as end float. It is ideal for all horizontal, close-coupled applications including fans, overhead cranes, conveyors, steel and paper mill equipment. It is adaptable with limited end float kits for use on electric motors, generators or any machines fitted with sleeve or straight roller bearings. The ZEB is equipped with a separate sealing cover at each side..

SERIES ZEB I SIZE 10 - 65

Separate Sealing Cover



Size	TN Nm (1)	TP Nm	n Max rpm(2)	A	B	C	D Max (3)	E	F	F1	F2	G	H	Weight Max Kg (4)	Weight Min Kg (5)	Inertia J Kgm2 (4)
10	2,937	5,940	8,600	119	90.2	69	52	43	3	5	7	1.5	39	5	4	0.007
15	4,604	9,108	7,000	147	109.6	85	62	50	3	8	13	1.5	46	9	7	0.018
20	9,240	18,315	5,800	179	135	107	78	62	3	14	25	1.5	59.5	16	12	0.048
25	14,025	28,710	4,700	220	166	133	98	76	5	12	19	2.5	69.5	30	21	0.13
30	23,100	46,530	4,200	242	188.6	152	112	90	5	24	43	2.5	82.5	42	29	0.22
35	37,950	75,240	3,500	284	220	178	132	105	6	27	48	3	96	69	48	0.56
40	57,915	114,840	3,200	315	252.5	209	156	120	6	32	58	3	106.5	93	64	0.89
45	73,260	145,200	2,900	340	279	234	174	135	8	37	66	4	123	118	80	1.37
50	113,025	230,340	2,500	380	308.5	254	190	150	8	50	92	4	139.5	164	114	2.38
55	139,590	276,540	2,400	408	341	279	210	175	8	52	96	4	154.5	216	147	3.60
60	249,150	501,600	2,200	444	372	305	233	190	8	58	108	4	166.5	261	168	4.99
65	339,075	671,550	2,000	506	427	355	275	220	10	72	134	5	193.5	408	249	9.96

- ✓ From size 45 (included) the coupling is supplied by default with puller holes. If required, puller holes can also be made for smaller sizes.
- ✓ Setscrews can be included upon request.
- ✓ Adapted hub length available upon request.

(1) The torque of the coupling does not include the connection transmission capacity.

(2) n MAX speed for balanced couplings. For higher speeds contact Feinnord.

(3) Max. allowable bore for couplings with DIN 6885/1 key. For other types of keys or connections please contact Feinnord.

(4) Weight and moment of inertia are given for minimum bore.

(5) Adapted hub length and value F available upon request.