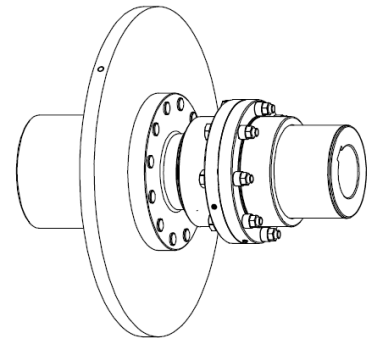
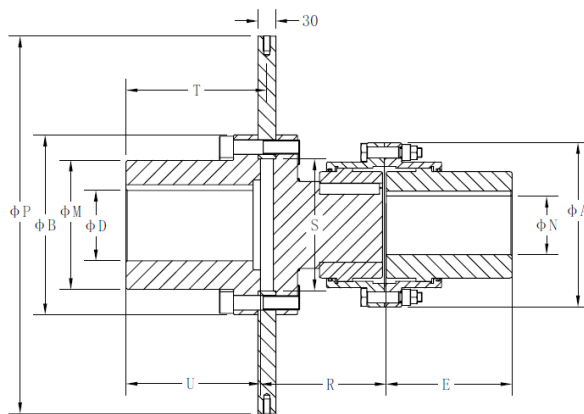


Double or single engagement brake drum and disc brake couplings are used for applications such as cranes, hoists and conveyors. Brake drum and disc brake couplings accommodate misalignment between connected equipment and eliminate the need for double shaft extensions on motors and gear drives for applications requiring brakes.

## SERIES ZBW I SIZE 15 - 45

with Offset Brake Disc



Size	TN Nm (1)	TP Nm (1)	n Max rpm(2)	A	B	D Max (3)	E	M	P	R(6)	S	T	U	Weight Max Kg (4)	Weight Min Kg (5)	Inertia J Kgm2 (4)
15	2,760	5,520	3,500	141	124	50	50	82	315	117	85	102	107	34	31	0.253
			3,100		145	60		100	355	117	105	102	107	42	38	0.402
			2,800		165	70		110	395	117	115	102	107	50	46	0.612
			2500		175	70		112	445	117	120	135	140	63	58	0.972
20	5,550	11,100	2,800	171	165	70	62	110	395	117	115	102	107	57	51	0.634
			2500		175	70		112	445	130	120	135	140	70	64	0.996
			2200		218	100		155	495	145	160	135	140	92	82	1.565
			2000		218	100		155	550	145	160	135	140	104	93	2.30
25	8,700	17,400	2500	210	175	70	76	112	445	145	120	135	140	82	74	1.063
			2200		218	100		155	495	164	160	135	140	106	93	1.64
			2000		218	100		155	550	164	160	135	140	117	104	2.37
			1800		238	105		168	625	164	170	135	140	140	126	3.85
30	14,100	28,200	2200	234	218	100	90	155	495	180	160	135	140	120	106	1.730
			2000		218	100		155	550	180	160	135	140	131	117	2.46
			1800		238	105		168	625	180	170	135	140	154	139	3.94

			1600		268	120		190	705	180	195	135	140	185	167	6.27
35	22,800	45,600	1800	274	238	105	105	168	625	196	170	135	140	178	160	4.18
			1600		268	120		190	705	196	195	135	140	195	189	6.51
			1400		300	135		216	795	196	220	135	140	250	225	10.27
40	34,800	69,600	1800	312	238	105	120	168	625	223	170	135	140	216	192	4.60
			1600		268	120		190	705	223	195	135	140	248	221	6.93
			1400		300	135		216	795	223	220	135	140	287	257	10.69
45	44,000	88,000	1600	337	268	120	135	190	705	238	195	135	140	281	250	7.39
			1400		300	135		216	795	238	220	135	140	320	286	11.15

✓ From size 45 (included) the coupling is supplied by default with puller holes. If required, puller holes can also be made for smaller sizes.

✓ Setscrews can be included upon request.

✓ Adapted hub length available upon request.

(1) The torque of the coupling does not include the connection transmission capacity.

(2) n MAX speed calculated according to standard brake material (S355). For higher speed, please contact Feinnord. n MAX speed for balanced couplings. For higher speeds contact Feinnord.

(3) Max. allowable bore for couplings with DIN 6885/1 key. For other types of keys or connections please contact Feinnord.

(4) Weight and moment of inertia are given for minimum bore.

(5) Weight is given for maximum bore.

(6) R can be supplied with different length on demand.