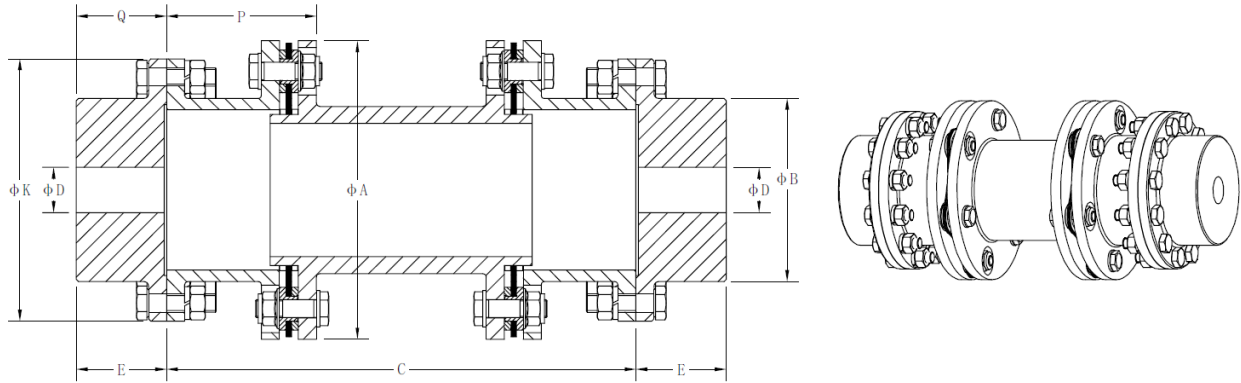


SERIES SSZ6 I SIZE 135 - 256

Drop-Out with Floating Central Section



Size	TN Nm	TP Nm	N Max rpm unbalanced (1)	N Max rpm balanced (2)	A	B	C (3)	D Max (4)	E	K	P	Q	Inertia J Kgm2 (5)	Weight Kg (5)	Axial Misalign. $\pm\Delta Ka$ mm (6)	Angle Misalign $\pm\Delta Kw$ Degree (6)
135	1,100	2,200	5840	14600	132	80	170	55	40	116	66	42.0	0.013	5	2.6	1.5
160	2,000	4,000	4920	12300	158	100	225	70	47	152	81	49.5	0.039	11	3.1	
186	3,300	6,600	4200	10500	185	125	265	90	58	178	96	60.5	0.084	17	3.7	
205	4,600	9,200	3840	9600	202	148	300	105	74	213	110	76.5	0.15	24	3.8	1
256	10,200	20,400	3080	7700	252	173	365	120	88	240	130	90.5	0.40	42	4.7	

Larger sizes are available on demand.

1) Operating speed must be equal or less than permissible speed. Permissible speeds could be limited by the weight and critical speeds of spacers. Check the dynamic balancing guide and critical speeds in catalog.

2) Max. rotation speeds considered in special mat. and/or execution. For higher rotation speeds, please consult Feinnord.

3) Dimension DBSE is the distance between shaft ends and is a variable parameter.

4) The maximum bores shown are for cylindrical or taper shaft with keys. For other type of connections consult Feinnord.

5) Value of complete coupling with DBSE min, d1 and d2 max., GD2 =4J.

6) The value for axial misalignment is given for a complete 2 disc pack. Angular misalignment is given per pack. Refer to catalog for combined permissible misalignment.

Overload bushings (SSZ6XXXR) are available on demand.