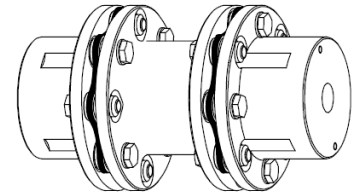
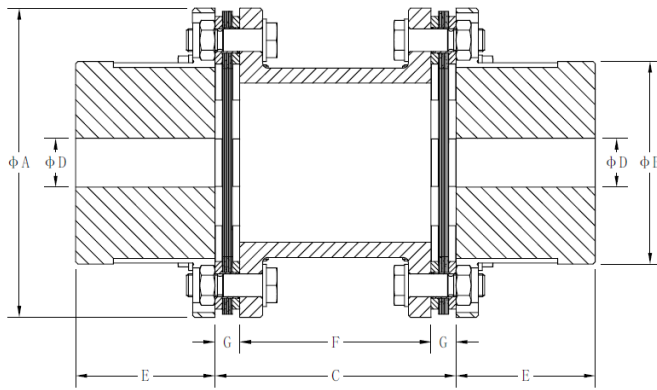


SERIES SSD8 I SIZE 280 - 766

Standard



Size	TN Nm	TP Nm	N Max rpm unbalanced (1)	N Max rpm balanced (2)	A	B	C (3)	D Max (4)	E	F	G	Inertia J Kgm2 (5)	Weight Kg (5)	Axial Misalign. $\pm\Delta K_a$ mm (6)	Angle Misalign $\pm\Delta K_w$ Degree (6)
280	20000	40000	2800	7000	278	183	218	131	125	175.6	21.2	0.573	59	3.7	0.5
305	30000	60000	2560	6400	302	201	234	145	135	185.2	24.4	0.878	77	4.0	
326	37000	74000	2400	6000	325	219	254	156	145	202.0	26.0	1.199	92	4.3	
346	46000	92000	2200	5500	345	230	270	165	155	213.6	28.2	1.660	112	4.6	
382	63000	126000	2040	5100	380	249	296	178	170	232.0	32.0	2.715	150	5.0	
412	86000	172000	1880	4700	410	269	320	192	185	253.6	33.2	4.11	195	5.4	
445	110000	220000	1740	4350	440	289	334	206	195	261.2	36.4	5.54	230	5.8	
480	138000	276000	1680	4200	475	309	358	220	210	281.6	38.2	8.32	295	6.3	
510	175000	350000	1520	3800	505	327	394	233	230	310.0	42.0	12.13	374	6.7	
545	220000	440000	1440	3600	540	330	416	235	240	324.0	46.0	16.77	454	7.2	
575	259000	518000	1360	3400	570	350	450	250	250	346.8	51.6	22.02	535	7.6	
610	315000	630000	1280	3200	605	370	474	265	265	367.6	53.2	28.00	617	7.8	
640	383000	766000	1240	3100	635	385	521	275	280	399.4	60.8	36.64	728	8.2	
680	454000	908000	1160	2900	675	410	558	290	300	427.6	65.2	48.62	875	8.4	
700	528000	1056000	1120	2800	700	420	595	300	315	457.4	68.8	62.26	1021	8.9	
735	608000	1216000	1080	2700	730	440	610	315	330	467.6	71.2	74.87	1130	9.2	

766	700000	1400000	1040	2600	760	460	642	330	350	496.4	72.8	94.87	1310	9.6	
-----	--------	---------	------	------	-----	-----	-----	-----	-----	-------	------	-------	------	-----	--

Larger sizes are available on demand.

- 1) Operating speed must be equal or less than permissible speed. Permissible speeds could be limited by the weight and critical speeds of spacers. Check the dynamic balancing guide and critical speeds in catalog.
- 2) Max. rotation speeds considered in special mat. and/or execution. For higher rotation speeds, please consult Feinnord.
- 3) Dimension DBSE is the distance between shafts ends and is a variable parameter.
- 4) The maximum bores shown are for cylindrical or taper shafts with keys. For other type of connections consult Feinnord.
- 5) Value of complete coupling with DBSE min, D max., GD2 =4J.
- 6) The value for axial misalignment is given for a complete 2 disc pack. Angular misalignment is given per pack. Refer to catalog for combined permissible misalignment.
- 7) Overload bushings (SSD8xxxR) are available on demand.