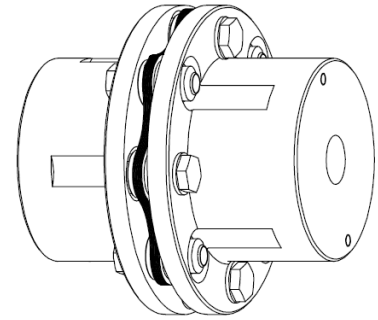
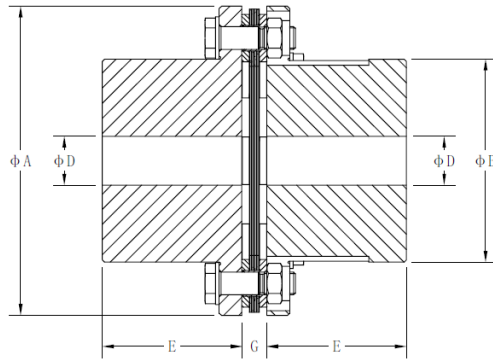


SERIES SMP8 I SIZE 280 - 766

Single Pack



Size	TN Nm	TP Nm	A	B	D Max (4)	E	G	Inertia J Kgm ² (5)	Weight Kg (5)	Axial Misalign. $\pm\Delta K_a$ mm (6)	Angle Misalign $\pm\Delta K_w$ Degree (6)
280	20,000	40000	278	183	125	131	21.2	0.348	39	1.8	0.5
305	30000	60000	302	201	135	145	24.4	0.540	51	2.0	
326	37000	74000	325	219	145	156	26.0	0.756	63	2.1	
346	46000	92000	345	230	155	165	28.2	1.03	75	2.3	
382	63000	126000	380	249	170	178	32.0	1.68	101	2.5	
412	86000	172000	410	269	185	192	33.2	2.51	130	2.7	
445	110000	220000	440	289	195	206	36.4	3.59	158	2.9	
480	138000	276000	475	309	210	220	38.2	5.25	200	3.1	
510	175000	350000	505	327	230	233	42.0	7.22	245	3.3	
545	220000	440000	540	330	240	235	46.0	8.67	272	3.6	
575	259000	518000	570	350	250	250	51.6	11.5	320	3.8	
610	315000	630000	605	370	265	265	53.2	15.4	381	3.9	
640	383000	766000	635	385	280	275	60.8	20.4	446	4.1	
680	454000	908000	675	410	300	290	65.2	27.9	541	4.2	
700	528000	1056000	700	420	315	300	68.8	33.9	610	4.4	
735	608000	1216000	730	440	330	315	71.2	41.3	685	4.6	
766	700000	1400000	760	460	350	330	72.8	52.1	792	4.8	

Larger sizes are available on demand.

- 1) The maximum bores shown are for cylindrical or taper shafts with keys. For other type of connections consult Feinnord.
- 2) Value of complete coupling with DBSE min, d1 and d2 max., GD2 =4J.
- 3) This configuration allows only stated axial and angular misalignments. RADIAL MISALIGNMENTS ARE NOT ADMISSIBLE.
- 4) Overload bushings (SMP8XXXR) are available on demand.