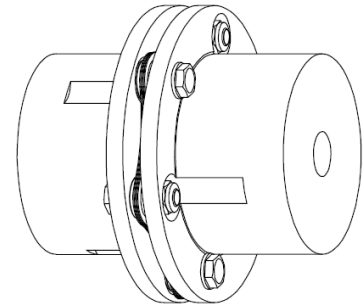
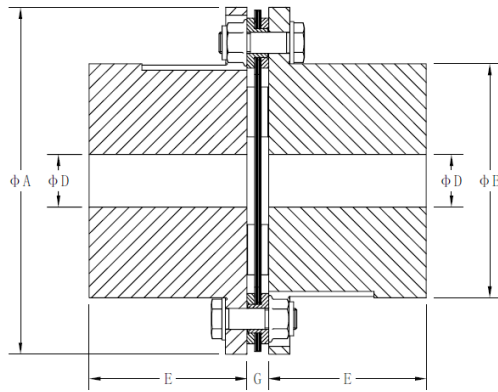


SERIES SMP6 I SIZE 92 - 510

Single Pack



Size	TN Nm	TP Nm	A	B	D Max (1)	E	G	Inertia J Kgm ² (2)	Weight Kg (2)	Axial Misalign.	Angle Misalign
										$\pm\Delta K_a$ mm (3)	$\pm\Delta K_w$ Degree (3)
92	240	480	90	58	41	40	7.5	0.001	1.4	0.75	1.5
112	575	1,150	110	70	50	50	8.4	0.003	2.3	1.0	
135	1,100	2,200	132	89	65	60	8.4	0.007	3.8	1.3	
160	2,000	4,000	158	104	75	70	11.2	0.017	6.4	1.5	
186	3,300	6,600	185	121	87	80	14.0	0.037	9.9	1.8	
205	4,600	9,200	202	132	95	90	15.5	0.061	14	1.9	1
230	7,000	14,000	228	150	107	100	17.5	0.11	19	2.1	
256	10,200	20,400	255	163	117	115	20.5	0.21	29	2.3	
280	14,200	28,400	278	183	131	125	21.2	0.32	37	2.6	
305	20,000	40,000	302	201	145	135	24.4	0.50	49	2.8	
326	25,000	50,000	325	219	156	145	26.0	0.71	61	3.2	
346	31,000	62,000	345	230	165	155	28.2	0.98	73	3.4	
382	42,300	84,600	380	249	178	170	32.0	1.57	96	3.8	
412	57,100	114,200	410	269	192	185	33.2	2.33	124	4.1	
445	73,500	147,000	440	289	206	195	36.4	3.32	151	4.4	
480	92,000	184,000	475	309	220	210	38.2	4.89	191	4.7	

510	117,000	234,000	505	327	233	230	42.0	6.69	233	5.0	
-----	---------	---------	-----	-----	-----	-----	------	------	-----	-----	--

Larger sizes are available on demand.

- 1) The maximum bores shown are for cylindrical or taper shafts with keys. For other type of connections consult Feinnord.
- 2) Value of complete coupling with DBSE min, d1 and d2 max., GD2 =4J.
- 3) This configuration allows only stated axial and angular misalignments. RADIAL MISALIGNMENTS ARE NOT ADMISSIBLE.
- 4) Overload bushings (SMP6XXXR) are available on demand.