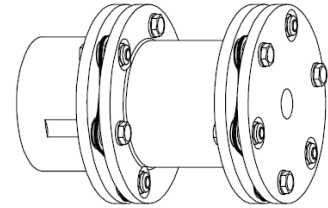
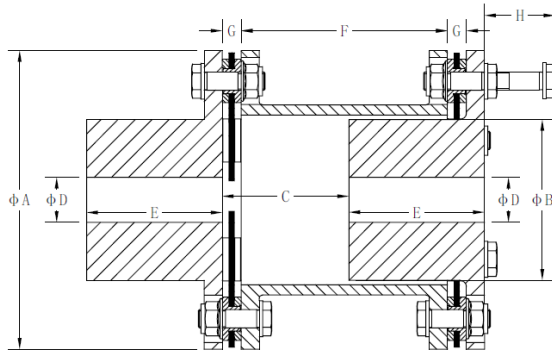


# SERIES SER6 I SIZE 92 - 510

Close Coupled



Size	TN Nm	TP Nm	N Max rpm unbalance d (1)	N Max rpm balanced (2)	A	B	C (3)	D Max (4)	E	F	G	H (7)	Inertia J Kgm <sup>2</sup> (5)	Weight Kg (5)	Axial Misalign. ±ΔKa mm (6)	Angle Misalign ±ΔKw Degree (6)
92	240	480	9,100	22,700	90	44	37	31	40	56.0	7.5	30	0.002	1.7	1.5	1.5
112	575	1,150	7,200	18,000	110	54	46	39	50	71.2	8.4	45	0.003	1.8	2.1	
135	1,100	2,200	5,840	14,600	132	71	56	50	60	91.2	8.4	45	0.010	3.8	2.6	
160	2,000	4,000	4,920	12,300	158	84	64	60	70	101.6	11.2	55	0.021	5.8	3.1	
186	3,300	6,600	4,200	10,500	185	95	72	68	80	112.0	14.0	65	0.053	10	3.7	
205	4,600	9,200	3,840	9,600	202	108	82	75	90	127.0	15.5	75	0.091	15	3.8	1
230	7,000	14,000	3,400	8,500	228	123	90	85	100	139.0	17.5	85	0.17	21	4.2	
256	10,200	20,400	3,080	7,700	255	135	101	95	115	155.0	20.5	100	0.27	27	4.7	
280	14,200	28,400	2,800	7,000	278	152	113	105	125	175.6	21.2	105	0.46	36	5.2	
305	20,000	40,000	2,560	6,400	302	165	121	115	135	185.2	24.4	115	0.71	46	5.7	
326	25,000	50,000	2,400	6,000	325	174	131	125	145	202.0	26.0	115	0.96	55	6.5	
346	31,000	62,000	2,200	5,500	345	186	139	130	155	213.6	28.2	125	1.34	70	6.9	
382	42,300	84,600	2,040	5,100	380	204	153	145	170	232.0	32.0	140	2.17	92	7.6	
412	57,100	114,200	1,880	4,700	410	223	165	160	185	253.6	33.2	150	3.28	116	8.2	
445	73,500	147,000	1,740	4,350	440	233	172	165	195	261.2	36.4	165	4.46	136	8.8	
480	92,000	184,000	1,680	4,200	475	252	184	180	210	281.6	38.2	180	6.71	172	9.5	

---

510	117,000	234,000	1,520	3,800	505	266	203	190	230	310.0	42.0	195	9.76	228	10.1	
-----	---------	---------	-------	-------	-----	-----	-----	-----	-----	-------	------	-----	------	-----	------	--

**Larger sizes are available on demand.**

- 1) Operating speed must be equal or less than permissible speed. Permissible speeds could be limited by the weight and critical speeds of spacers. Check the dynamic balancing guide and critical speeds in catalog
- 2) Max. rotation speeds considered in special mat. and/or execution. For higher rotation speeds, please consult Feinnord.
- 3) Dimension DBSE is the distance between shafts ends and is a variable parameter.
- 4) The maximum bores shown are for cylindrical or taper shafts with keys. For other type of connections consult Feinnord.
- 5) Value of complete coupling with DBSE min, D max., GD2 =4J.
- 6) The value for axial misalignment is given for a complete 2 disc pack. Angular misalignment is given per pack. Refer to catalog for combined permissible misalignment.
- 7) The dimension H is required for dismantling the fitted bolts.
- 8) Overload bushings (SER6xxxR) are available on demand.