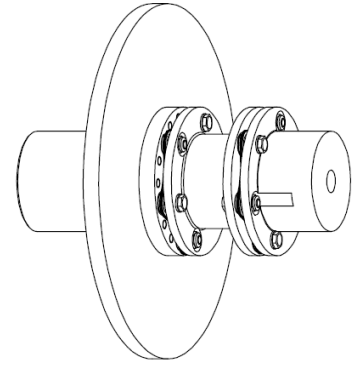
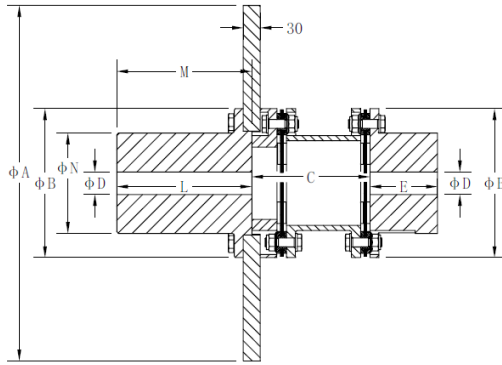


SERIES SBS6 I SIZE 135 - 346

with Brake Disc



Size	TN Nm (1)	TP Nm	N Max rpm (2)	A (3)	B	C (4)	D Max (5)	E	L	M	N	Inertia J Kgm2 (6)	Weight Kg (6)	Axial Misalign. $\pm\Delta K_a$ mm (7)	Angle Misalign $\pm\Delta K_w$ Degree (7)
135	1,100	2,200	3500	315	132	105	65	60	85	80	89	0.241	24	2.6	1.5
			3100	355								0.381	29		
160	2,000	4,000	3500	315	158	131	75	70	110	105	104	0.269	31	3.1	
			3100	355								0.409	36		
			2800	395								0.605	42		
186	3,300	6,600	2800	395	185	148	87	80	110	105	121	0.653	49	3.7	
			2500	445								0.997	57		
			2200	495								1.478	66		
205	4,600	9,200	2500	445	202	170	95	90	140	135	132	1.054	65	3.8	1
			2200	495								1.536	73		
			2000	550								2.263	84		
230	7,000	14,000	2200	495	228	187	107	100	170	165	150	1.665	87	4.2	
			2000	550								2.393	98		
			1800	625								3.805	114		
256	10,200	20,400	1800	625	255	241	117	115	170	165	163	4.016	131	4.7	
			1600	705								6.200	150		

280	14,200	28,400	1800 1600 1400	625 705 795		278 263	131	125	210	205	183	4.297 6.480 10.004	153 173 198	5.2
305	20,000	40,000	1600 1400	705 795	302	282	145	135	210	205	201	6.883 10.407	195 220	5.7
326	25,000	50,000	1600 1400 1100	705 795 955X40		302 302 307	156	145	250	245 245 240	219	7.389 10.914 31.883	219 244 368	6.5
346	31,000	62,000	1400 1100	795 955X40	345	321 326	165	155	250	245 240	230	11.477 32.445	268 393	6.9

Larger sizes are available on demand.

(1) For coupling selection, apply corresponding service factor (SF=2 minimum)

(2) Values for St-52.3 disc material balanced to G 6.3 ISO 1940. Consult Feinnord for couplings operating at higher speeds.

(3) D995mm brake disc's thickness: 40mm.

(4) Dimension DBSE is the distance between shaft ends, and is a variable parameter.

(5) Max. admissible bore for couplings with DIN 6885/1 keys. For other types of keys or connections please consult Feinnord.

(6) Value of complete coupling with std. DBSE, D max., GD2 = 4J

(7) The value for axial misalignment is given for a complete 2 disc pack. Angular misalignment is given per pack. Refer to catalog for combined permissible misalignment