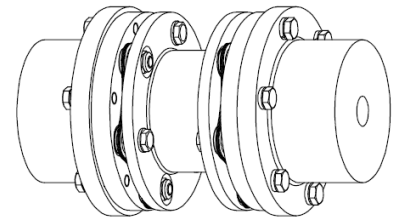
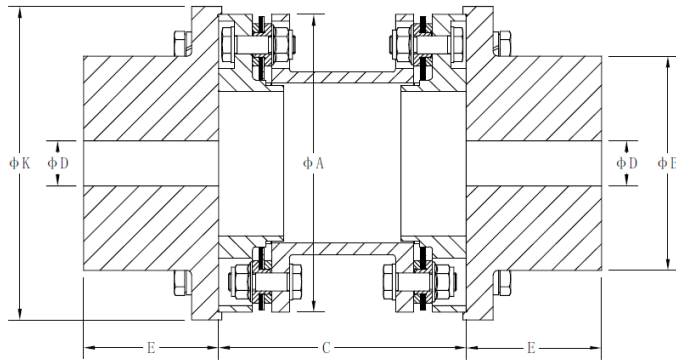


SERIES SAS6 I SIZE 92 - 510

Drop-out

API 610



| Size | TN Nm | TP Nm | N Max rpm unbalanced (1) | N Max rpm balanced (2) | A | B | C (3) | D Max (4) | E | K | Inertia J Kgm2 (5) | Weight Kg (5) | Axial Misalign. $\pm\Delta K_a$ mm (6) | Angle Misalign $\pm\Delta K_w$ Degree (6) |
|------|--------|---------|--------------------------------|------------------------------|-----|-----|----------|--------------|-----|-----|--------------------------|------------------|--|---|
| 92 | 240 | 480 | 9,100 | 22,700 | 90 | 60 | 79 | 43 | 40 | 94 | 0.005 | 3.6 | 1.5 | 1.5 |
| 112 | 575 | 1,150 | 7,200 | 18,000 | 110 | 73 | 108 | 52 | 50 | 115 | 0.009 | 5.4 | 2.1 | |
| 135 | 1,100 | 2,200 | 5,840 | 14,600 | 132 | 95 | 110 | 67 | 60 | 139 | 0.024 | 10 | 2.6 | |
| 160 | 2,000 | 4,000 | 4,920 | 12,300 | 158 | 112 | 140 | 80 | 70 | 165 | 0.062 | 18 | 3.1 | |
| 186 | 3,300 | 6,600 | 4,200 | 10,500 | 185 | 134 | 160 | 95 | 80 | 193 | 0.13 | 28 | 3.7 | 1 |
| 205 | 4,600 | 9,200 | 3,840 | 9,600 | 202 | 144 | 185 | 102 | 90 | 210 | 0.22 | 38 | 3.8 | |
| 230 | 7,000 | 14,000 | 3,400 | 8,500 | 228 | 160 | 205 | 115 | 100 | 236 | 0.41 | 55 | 4.2 | |
| 256 | 10,200 | 20,400 | 3,080 | 7,700 | 255 | 175 | 250 | 125 | 115 | 263 | 0.65 | 72 | 4.7 | |
| 280 | 14,200 | 28,400 | 2,800 | 7,000 | 278 | 195 | 255 | 140 | 125 | 286 | 1.12 | 101 | 5.2 | |
| 305 | 20,000 | 40,000 | 2,560 | 6,400 | 302 | 217 | 280 | 155 | 135 | 310 | 1.72 | 133 | 5.7 | |
| 326 | 25,000 | 50,000 | 2,400 | 6,000 | 325 | 240 | 285 | 170 | 145 | 333 | 2.35 | 160 | 6.5 | |
| 346 | 31,000 | 62,000 | 2,200 | 5,500 | 345 | 255 | 320 | 180 | 155 | 355 | 3.26 | 193 | 6.9 | |
| 382 | 42,300 | 84,600 | 2,040 | 5,100 | 380 | 295 | 345 | 210 | 170 | 390 | 5.32 | 262 | 7.6 | |
| 412 | 57,100 | 114,200 | 1,880 | 4,700 | 410 | 315 | 375 | 225 | 185 | 420 | 8.02 | 335 | 8.2 | |

| | | | | | | | | | | | | | | |
|-----|---------|---------|-------|-------|-----|-----|-----|-----|-----|-----|-------|-----|------|--|
| 445 | 73,500 | 147,000 | 1,740 | 4,350 | 440 | 330 | 415 | 235 | 195 | 450 | 10.78 | 397 | 8.8 | |
| 480 | 92,000 | 184,000 | 1,680 | 4,200 | 475 | 355 | 450 | 250 | 210 | 485 | 16.02 | 505 | 9.5 | |
| 510 | 117,000 | 234,000 | 1,520 | 3,800 | 505 | 385 | 490 | 275 | 230 | 515 | 22.94 | 631 | 10.1 | |

Larger sizes are available on demand.

- 1) Operating speed must be equal or less than permissible speed. Permissible speeds could be limited by the weight and critical speeds of spacers. Check the dynamic balancing guide and critical speeds in catalog.
- 2) Max. rotation speeds considered in special mat. and/or execution. For higher rotation speeds, please consult Feinnord.
- 3) Dimension DBSE is the distance between shafts ends and is a variable parameter.
- 4) The maximum bores shown are for cylindrical or taper shafts with keys. For other type of connections consult Feinnord.
- 5) Value of complete coupling with DBSE min, D max., GD2 =4J.
- 6) The value for axial misalignment is given for a complete 2 disc pack. Angular misalignment is given per pack. Refer to catalog for combined permissible misalignment.
- 7) Overload bushings (SAS6xxxR) are available on demand.