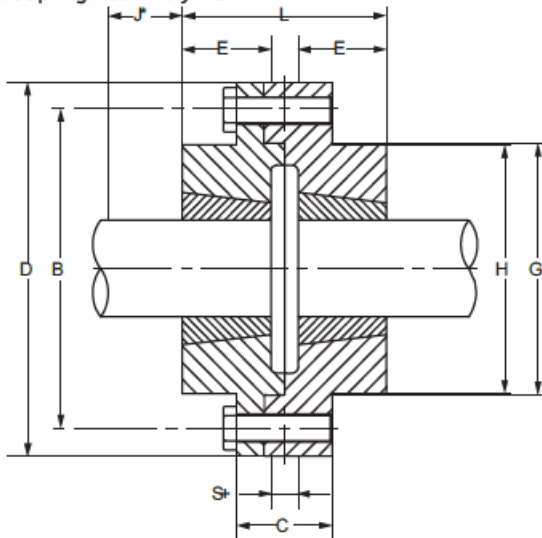
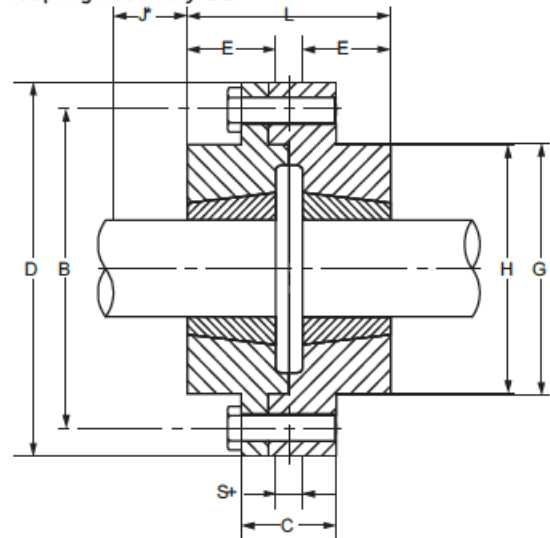


## SERIES RAB\_RBB I SIZE 12 - 50

Coupling Assembly AB



Coupling Assembly BB



### Taper Bushed Couplings

Coupling Size	Bushing Data		Dimensions									Weight** (kg)
	Bushing No	Max Bore (mm)	D	C	E	H	G Nominal	B Nominal	S+	J*	L	
R12	1210	32	118	35	25	83	76	102	7	38	57	3,5
R16	1615	42	127	43	38	80	89	105	7	38	83	4,5
R25	2517	60	178	51	45	123	127	149	7	48	97	11,0
R30	3020	75	216	65	51	146	152	181	7	54	109	20,0
R35	3525	100	248	75	65	178	178	213	7	67	137	34,0
R40	4030	110	298	76	76	210	216	257	7	79	159	59,0
R45	4535	125	330	86	89	230	241	246	7	89	185	80,0
R50	5040	125	362	92	102	266	267	314	7	92	211	135,0

All Dimensions in mm

J\* is the wrench clearance to allow for tightening and loosening the bush on the shaft.

The use of a shortened wrench will permit this dimension to be reduced

S+ is the distance between shaft ends

\*\* Weight given are for couplings with midrange Taper bushes.

### Designations

Size	Coupling Assembly AB		Coupling Assembly BB	
	Male	Female	Male	Female
R12	PHE R12MHTB	PHE R12FTB	PHE R12HTB	PHE R12FTB
R16	PHE R16MHTB	PHE R16FTB	PHE R16HTB	PHE R16FTB
R25	PHE R25MHTB	PHE R25FTB	PHE R25HTB	PHE R25FTB
R30	PHE R30MHTB	PHE R30FTB	PHE R30HTB	PHE R30FTB
R35	PHE R35MHTB	PHE R35FTB	PHE R35HTB	PHE R35FTB
R40	PHE R40MHTB	PHE R40FTB	PHE R40HTB	PHE R40FTB
R45	PHE R45MHTB	PHE R45FTB	PHE R45HTB	PHE R45FTB
R50	PHE R50MHTB	PHE R50FTB	PHE R50HTB	PHE R50FTB

A complete coupling consists of one male and one female flange

Example: Coupling Assembly AB PHE R12MHTB and PHE R12FTB

Coupling Assembly BB PHE R12HTB and PHE R12FTB