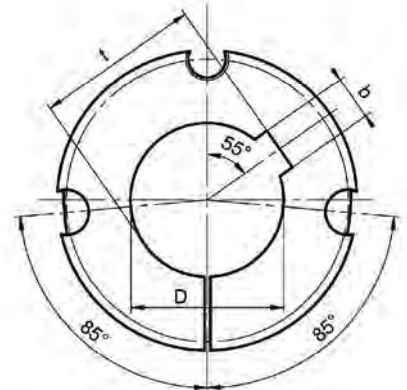
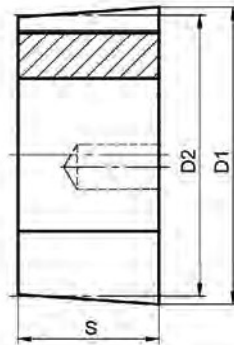


FEINORD



3030

Cast iron:GG25

Screw Specification:5/8-11BSW×1-1/4

Transmissible torque: 2710Nm

Bore In Metric

Tools for tighten: Allen wrench 5/16"

Screws Quantity: 2

Screw tightening torque:90Nm

Product Code	Product Model	D1	D2	S	D (G7)	b	Js9	t	Weight (Kg)	
CP011369	3030-19MM	107.87	101.6	76.2	19	6	±0.015	D+2.8	4.21	
CP011430	3030-25MM				25	8	±0.018	D+3.3	4.08	
CP011443	3030-28MM				28			D+3.3	4	
CP011463	3030-30MM				30			D+3.3	3.94	
CP011472	3030-32MM				32	10		D+3.3	3.83	
CP011481	3030-35MM				35			D+3.3	3.82	
CP011486	3030-36MM				36			D+3.3	3.78	
CP011492	3030-38MM				38			D+3.3	3.75	
CP011504	3030-40MM				40	12		±0.021	D+3.3	3.67
CP011512	3030-42MM				42				D+3.3	3.62
CP011518	3030-45MM				45				D+3.8	3.48
CP011524	3030-48MM				48		14		D+3.8	3.33
CP048381	3030-50MM				50	D+3.8			3.28	
CP011539	3030-55MM				55	16	D+4.3		3.07	
CP011547	3030-60MM				60	18	D+4.4		2.81	
CP011556	3030-65MM				65		D+4.4		2.46	
CP011565	3030-70MM				70	20	±0.026		D+4.9	2.26
CP011573	3030-75MM				75				D+4.9	1.92
CP011579	3030-80MM				80			D+5.4	1.6	