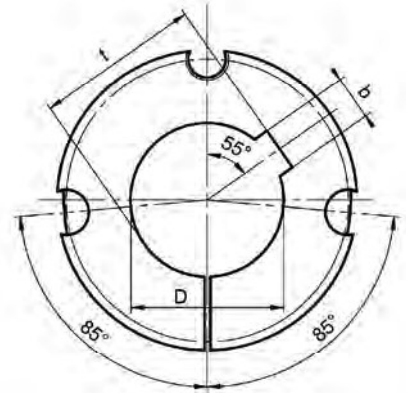
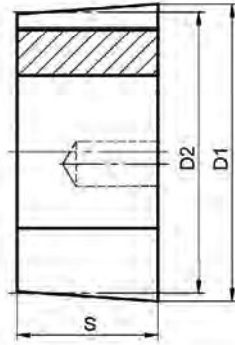


FEINNORD



2017

Cast iron:GG25

Screw Specification:7/16-14BSWx7/8

Transmissible torque: 808Nm

Bore In Metric

Tools for tighten: Allen wrench 3/32"

Screws Quantity: 2

Screw tightening torque:30.4Nm

Product Code	Product Model	D1	D2	S	D (G7)	b	Js9	t	Weight (Kg)	
CP049018	2017-14MM	69.77	66.68	44.5	14	5	±0.015	D+2.3	1.2	
CP005778	2017-18MM				18	6		D+2.8	1.2	
CP005781	2017-19MM				19			D+2.8	1.18	
CP005787	2017-20MM				20			D+2.8	1.1	
CP005790	2017-22MM				22			D+2.8	1	
CP005793	2017-24MM				24	8	±0.018	D+3.3	0.98	
CP005797	2017-25MM				25			D+3.3	0.91	
CP005801	2017-28MM				28			D+3.3	0.88	
CP005807	2017-30MM				30			D+3.3	0.82	
CP005810	2017-32MM				32	10	±0.018	D+3.3	0.75	
CP005816	2017-35MM				35			D+3.3	0.73	
CP005819	2017-38MM				38			D+3.3	0.7	
CP005823	2017-40MM				40	12	±0.021	D+3.3	0.68	
CP005827	2017-42MM				42			D+3.3	0.62	
CP005830	2017-45MM				45			14	D+3.8	0.57
CP005833	2017-48MM				48				D+3.8	0.5
CP005835	2017-50MM				50	D+3.8	0.47			

Bore In Inches

Product Code	Product Model	D1	D2	S	D (G7)	b	t	Weight (Kg)
CP005784	2017-1	2.747"	2.625"	1.75"	1"	1/4"	D+1/8"	0.9
CP005769	2017-1-1/8				1-1/8"	5/16"	D+1/8"	0.87
CP005766	2017-1-1/4				1-1/4"		D+1/8"	0.82
CP005775	2017-1-3/8				1-3/8"	3/8"	D+1/8"	0.76
CP005763	2017-1-1/2				1-1/2"		D+1/8"	0.7
CP005772	2017-1-3/4				1-3/4"	7/16"	D+5/32"	0.58
CP074588	2017-1-7/8				1-7/8"		D+5/32"	0.54
CP005804	2017-2				2"	1/2"	D+5/32"	0.42