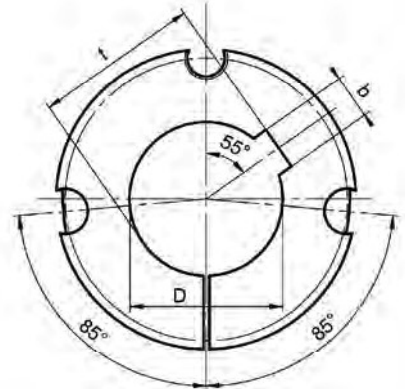
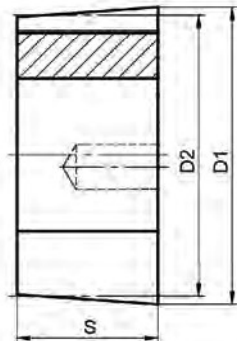


FEINORD



2012

Cast iron:GG25

Screw Specification:7/16-14BSW×7/8

Transmissible torque: 808Nm

Bore In Metric

Tools for tighten: Allen wrench 7/32"

Screws Quantity: 2

Screw tightening torque:30.4Nm

Product Code	Product Model	D1	D2	S	D (G7)	b	Js9	t	Weight (Kg)
CP005433	2012-11MM	69.77	66.68	31.8	11	4	±0.015	D+1.8	0.76
CP005439	2012-12MM				12			5	D+1.8
CP005470	2012-14MM				14	D+2.3			0.75
CP048995	2012-15MM				15	D+2.3			0.72
CP005497	2012-16MM				16	D+2.3			0.72
CP005516	2012-17MM				17	D+2.3			0.72
CP005523	2012-18MM				18	D+2.8			0.72
CP005535	2012-19MM				19	D+2.8			0.72
CP005564	2012-20MM				20	D+2.8			0.72
CP005571	2012-22MM				22	D+2.8		0.69	
CP005573	2012-23MM				23	±0.018	D+3.3	0.69	
CP005586	2012-24MM				24		D+3.3	0.68	
CP005595	2012-25MM				25		D+3.3	0.66	
CP049003	2012-26MM				26		D+3.3	0.66	
CP005608	2012-28MM				28		D+3.3	0.64	
CP005629	2012-30MM				30		D+3.3	0.61	
CP005639	2012-32MM				32		10	D+3.3	0.6
CP005642	2012-33MM				33			D+3.3	0.59
CP075637	2012-34MM				34			D+3.3	0.59
CP005653	2012-35MM				35			D+3.3	0.57
CP005662	2012-36MM				36	D+3.3		0.55	
CP005664	2012-37MM				37	D+3.3		0.55	
CP005673	2012-38MM				38	D+3.3	0.52		
CP005686	2012-40MM				40	12	D+3.3	0.5	
CP049014	2012-42MM				42		D+3.3	0.46	
CP005706	2012-45MM				45		±0.021	D+3.8	0.42
CP005711	2012-47MM				47			D+3.8	0.38
CP005719	2012-48MM				48	D+3.8		0.36	
CP005724	2012-49MM				49	D+3.8		0.34	
CP005740	2012-50MM				50	14	D+3.8	0.33	