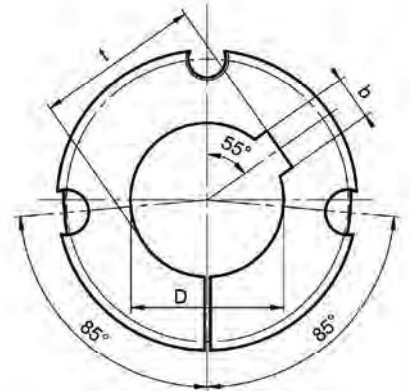
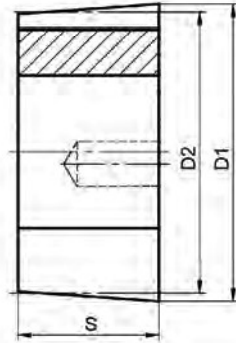


FEINORD



1610

Cast iron:GG25

Screw Specification:3/8-16BSW×5/8

Transmissible torque: 486Nm

Bore In Metric

Tools for tighten: Allen wrench 3/16"

Screws Quantity: 2

Screw tightening torque:19.6Nm

Product Code	Product Model	D1	D2	S	D (G7)	b	Js9	t	Weight (Kg)
CP003368	1610-10MM	57.07	53.97	25.4	10	3	±0.0125	D+1.4	0.42
CP003413	1610-11MM				11	4	±0.015	D+1.8	0.42
CP003421	1610-12MM				12	5		D+1.8	0.39
CP003452	1610-14MM				14			D+2.3	0.39
CP049131	1610-15MM				15	6	D+2.3	0.39	
CP003479	1610-16MM				16		D+2.3	0.38	
CP003490	1610-17MM				17		D+2.3	0.38	
CP003498	1610-18MM				18	8	D+2.8	0.38	
CP003508	1610-19MM				19		D+2.8	0.38	
CP003533	1610-20MM				20		D+2.8	0.36	
CP049136	1610-22MM				22	±0.018	D+2.8	0.36	
CP003540	1610-23MM				23		D+3.3	0.34	
CP003555	1610-24MM				24		D+3.3	0.33	
CP003567	1610-25MM				25		D+3.3	0.33	
CP003570	1610-26MM				26		10	D+3.3	0.32
CP003578	1610-28MM				28			D+3.3	0.32
CP049142	1610-29MM				29		±0.021	D+3.3	0.28
CP003597	1610-30MM				30			D+3.3	0.28
CP049144	1610-32MM				32			D+3.3	0.27
CP003608	1610-33MM				33		12	D+3.3	0.27
CP003611	1610-34MM				34	D+3.3		0.26	
CP003620	1610-35MM				35	D+3.3		0.24	
CP003625	1610-36MM				36	±0.021	D+3.3	0.24	
CP003634	1610-38MM				38		D+3.3	0.21	
CP003644	1610-39MM				39		D+3.3	0.19	
CP003654	1610-40MM				40	12	±0.021	D+3.3	0.18
CP003667	1610-42MM				42		D+3.3	0.16	