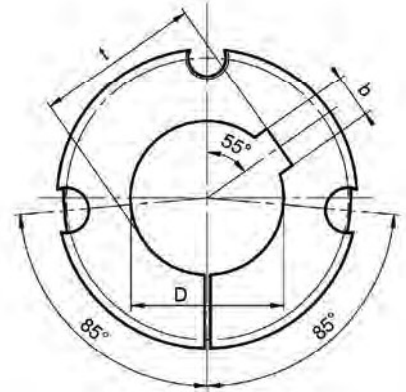
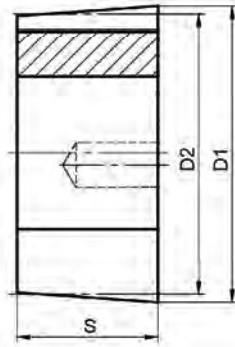


**FEINORD**



## 1310

Cast iron:GG25

Screw Specification:3/8-16BSW×5/8

Transmissible torque: 435Nm

Bore In Metric

Tools for tighten: Allen wrench 3/16"

Screws Quantity: 2

Screw tightening torque:19.6Nm

Product Code	Product Model	D1	D2	S	D (G7)	b	Js9	t	Weight (Kg)
CP002685	1310-12MM	50.8	47.63	25.4	12	4	±0.015	D+1.8	0.31
CP002697	1310-14MM				14	5		D+2.3	0.3
CP049250	1310-16MM				16	D+2.3		0.29	
CP002707	1310-18MM				18	D+2.8		0.28	
CP002711	1310-19MM				19	6		D+2.8	0.23
CP049253	1310-20MM				20	D+2.8		0.28	
CP002726	1310-22MM				22	D+2.8	0.25		
CP002730	1310-24MM				24	±0.018	8	D+3.3	0.24
CP002734	1310-25MM				25			D+3.3	0.23
CP002738	1310-28MM				28			D+3.3	0.22
CP002744	1310-30MM				30			D+3.3	0.19
CP002748	1310-32MM				32			D+3.3	0.18
CP002752	1310-35MM				35			10	D+3.3

Bore In Inches

Product Code	Product Model	D1	D2	S	D (G7)	b	t	Weight (Kg)
CP002760	1310-7/8	2"	1.875"	1"	7/8"	1/4"	D+1/8"	0.25
CP002719	1310-1				1"		D+1/8"	0.23
CP075602	1310-1-1/4				1-1/4"	5/16"	D+1/8"	0.2
CP002691	1310-1-3/8				1-3/8"	3/8"	D+1/8"	0.2