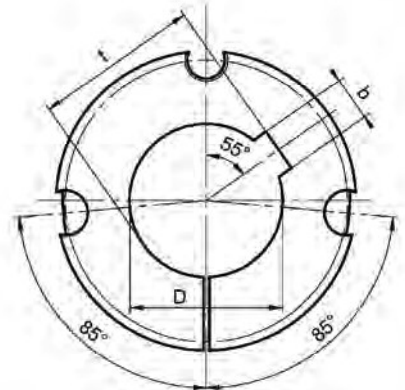
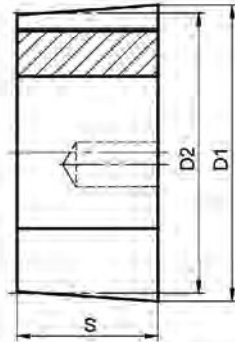


FEINORD



1008

Cast iron:GG25

Screw Specification:1/4-20BSW×1/2

Transmissible torque: 136Nm

Bore In Metric

Tools for tighten: Allen wrench 1/8"

Screws Quantity: 2

Screw tightening torque:5.6Nm

Product Code	Product Model	D1	D2	S	D (G7)	b	Js9	t	Weight (Kg)
CP001347	1008-8MM	35.2	33.73	22.3	8	2	±0.0125	D+1	0.13
CP049338	1008-9MM				9	3		D+1.4	0.12
CP001228	1008-10MM				10	3		D+1.4	0.11
CP001236	1008-11MM				11	4	±0.015	D+1.8	0.11
CP001243	1008-12MM				12	4		D+1.8	0.11
CP001253	1008-14MM				14	5		D+2.3	0.11
CP001263	1008-15MM				15	5		D+2.3	0.11
CP001270	1008-16MM				16	5		D+2.3	0.1
CP001271	1008-17MM				17	5		D+2.3	0.1
CP001277	1008-18MM				18	6		D+2.8	0.09
CP001283	1008-19MM				19	6		D+2.8	0.09
CP049720	1008-20MM				20	6		D+2.8	0.07
CP001304	1008-22MM				22	6	D+2.8	0.07	
CP001313	1008-24MM				24	8	±0.018	D+1.3	0.06
CP001318	1008-25MM				25	8		D+1.3	0.06

Bore In Inches

Product Code	Product Model	D1	D2	S	D (G7)	b	t	Weight (Kg)
CP001330	1008-3/8	1.386"	1.328"	0.878"	3/8"	1/8"	D+1/16"	0.11
CP001336	1008-7/16				7/16"		D+1/16"	0.11
CP001221	1008-1/2				1/2"		D+1/16"	0.11
CP001351	1008-9/16				9/16"	3/16"	D+3/32"	0.11
CP049334	1008-5/8				5/8"		D+3/32"	0.1
CP001232	1008-11/16				11/16"		D+3/32"	0.1
CP001326	1008-3/4				3/4"		D+3/32"	0.1
CP001247	1008-13/16				13/16"	1/4"	D+1/8"	0.08
CP001343	1008-7/8				7/8"		D+1/8"	0.07
CP001258	1008-15/16				15/16"		D+1/8"	0.07
CP001290	1008-1				1"		D+1/16"	0.06