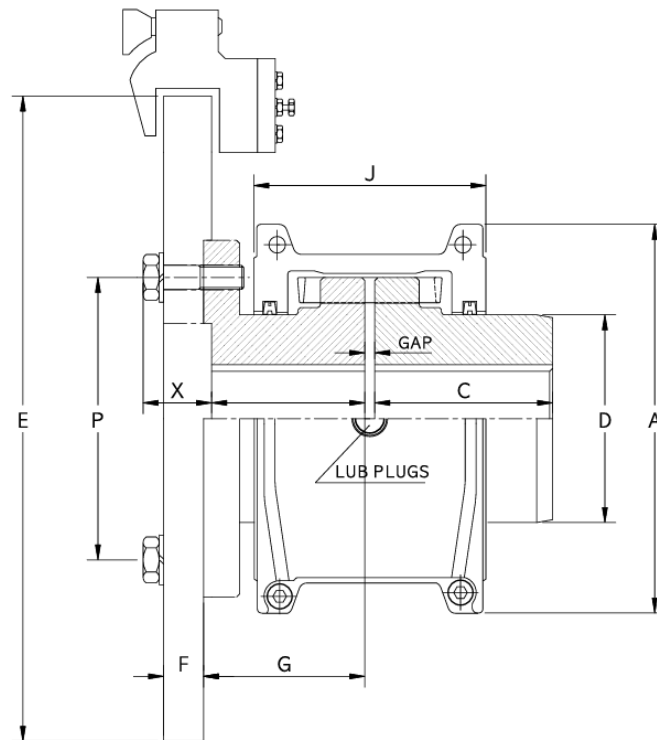


## SERIES GBD I SIZE 1020H-1160H

### Disc Brake



Size	KHBD		Dimension(mm)											Cplg WT kg	Lube WT kg	Brake Disk	
	Rated Torque kgf-m	Max speed rpm	Max bore	Min bore	A	C	D	G	J	P	W	X	GAP			E	F
1020H	4.9	4,500	29	13	101.6	48	40	60	67.5	71	61	12	3.2	2.6	0.03	203	6.4
1030H	13.8	4,500	35	13	110	48	49	60	71.8	79	61	12	3.2	3.3	0.04	254	6.4
1040H	23.0	4,500	41	13	114.5	51	57	60	71.7	98	61	12	3.2	4.3	0.05	254	6.4
1050H	40.3	4,500	48	13	138	61	67	60	81.5	108	61	13	3.2	6.4	0.05	254	6.4
1060H	63.4	4,350	54	19	150.5	64	76	89	97.5	125	88	15	3.2	9.6	0.09	305	6.4
1070H	92.2	4,125	64	19	162	76	87	89	98.9	133	88	15	3.2	12.3	0.12	305	6.4
1080H	190.1	3,600	76	27	193.7	89	105	89	118.4	152	88	18	3.2	19.8	0.17	305	6.4
1090H	345.6	3,600	89	27	212.2	99	124	89	126.9	179	88	27	3.2	28.4	0.25	406	12.7
1100H	581.8	2,440	102	41	250	121	142	119	156	216	119	29	4.8	47.7	0.43	406	12.7
1110H	864.1	2,250	114	41	270	127	160	146	162.6	241	146	41	4.8	64.9	0.51	457	12.7
1120H	1,267.4	2,025	127	60	308	149	179	150	191	276	149	33	6.4	92.1	0.73	509	12.7
1130H	1,843.4	1,800	152	67	345.3	162	217	153	195	295	152	35	6.4	132	0.91	559	12.7
1140H	2,649.9	1,650	184	67	386	184	254	160	201	330	159	38	6.4	185	1.13	610	12.7
1150H	3,686.9	1,500	203	108	453	183	269	180	271	368	183	32	6.4	253	1.95	762	12.7
1160H	5,184.7	1,350	229	108	501	198	305	198	279	400	198	32	6.4	336	2.81	914	12.7